

The ALKCO germicidal UV 2x2 Grid Ceiling Mount utilizes Philips UV-C technology to offer one layer of disinfection measures against bacteria, viruses, and fungal spores. Air disinfection can play an important role in a broad range of applications such as schools, offices, industry, (food) retail and museums.

Project: _____
 Location: _____
 Cat.No: _____
 Type: _____
 Lamps: _____ Qty: _____
 Notes: _____

Ordering guide

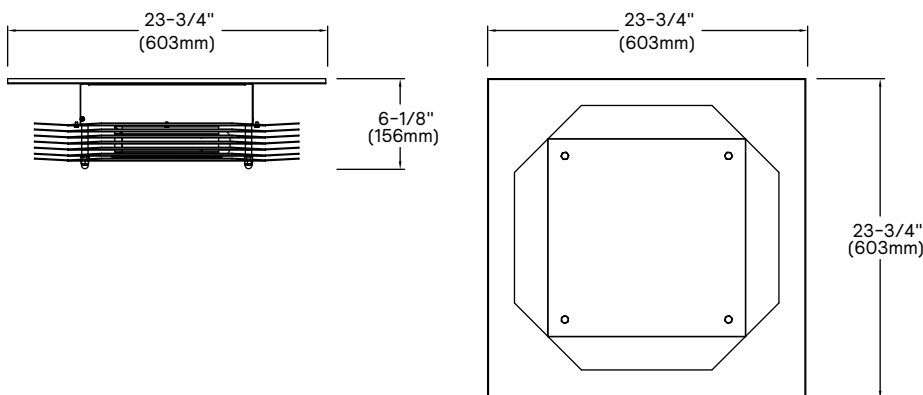
Example: U2C409-UNV-1/4-EB

Family	Lamp Quantity	Lamp Type/Wattage	Voltage	Ballast	Options
U2C	4	09 -	UNV -	1/4-EB -	<input type="text"/>
U2C Germicidal UV 2x2 grid ceiling mount	4 Four lamps	09 9W PL-S Philips TUV	UNV Universal voltage 120-277V	1/4-EB One 4 lamp electronic ballast	blank White external housing BK Black external housing

General Notes

- All options factory installed.
- All accessories are field installed.
- Lamps are included with luminaire but shipped separately.

Dimensions



U2C Germicidal UV 2x2 grid ceiling mount

4 lamp PL-S Philips TUV

Germicidal UV

- UV-C radiation can inactivate bacteria, viruses, and spores, which can leave them harmless.¹
- UV-C technology has been used effectively in buildings for more than 35 years.²
- This UV-C product is intended to be used for the disinfection of air except for in medical locations.
- Philips TUV germicidal PL-S lamps produce a peak output at 253.7nm.

Construction/Finish

- White polyester powder coated steel housing.
- Electronic ballast(s).
- Locking lampholders provide positive contact and secure retention of lamps.
- Black aluminum light directing baffles.
- Optional black external housing (BK option) makes the luminaire disappear into black ceilings.
- Wiring access plate in top of luminaire.
- Lamps are included with luminaire but shipped separately.

Disclaimer

This product's effectiveness in the inactivation of certain viruses, bacteria, protozoa, fungi or other harmful micro-organisms is as described in the product documentation. Signify and its group of companies do not promise or warrant that the use of the products will protect or prevent any user from infection and/or contamination with any viruses, bacteria, protozoa, fungi, illness or disease. The products are not approved for, are not intended and must not be used as medical devices. In addition to and without limitation of any exclusions or limitations of liability of Signify and its group of companies as set forth in any agreement for the sale, distribution or otherwise making available of the products, Signify and its group of companies shall have no responsibility or liability whatsoever for any claim or damage that may arise from or relate to any use of the products outside of their intended use.

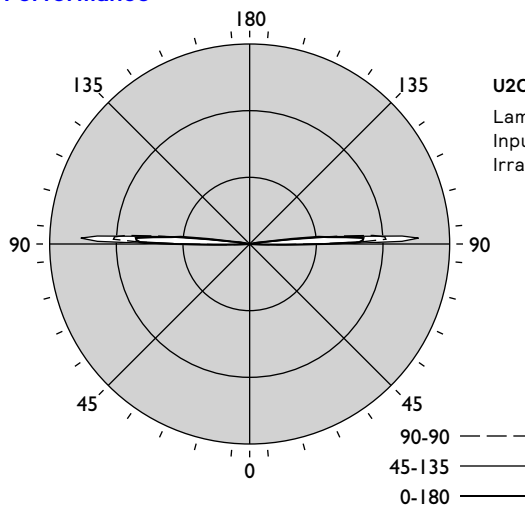
Warnings and Cautions

- This UV-C product is not approved and/or certified as a medical device.
- This UV-C product cannot be used to disinfect the surfaces of medical devices (such as medical devices in a room, surgical masks and/or surgical respirators). The device cannot be used in medical settings. The device cannot be used for disinfection of human skin.
- UV-C radiation can damage the human eye and can cause severe sunburn-like reaction to the human skin.
- UV-C can have adverse effects on organics such as plants and animals.
- UV-C radiation may damage or discolor materials such as plastics and rubber, among others.
- UV-C products should be installed and maintained by a trained technician following installation instructions and user manual.

Warranty

- 1 year limited warranty (signify.com/warranties)

Performance



1. Fluence (UV Dose) Required to Achieve Incremental Log Inactivation of Bacteria, Protozoa, Viruses and Algae Revised, updated and expanded by Adel Haji Malayeri, Madjid Mohseni, Bill Cairns and James R. Bolton. With earlier contributions by Gabriel Chevretil (2006) and Eric Caron (2006) With peer review by Benoit Barbeau, Harold Wright (1999) and Karl G. Linden
2. EPA Report, "Building Retrofits for Increased Protection Against Airborne Chemical and Biological Releases" Pg. 56



© 2020 Signify Holding. All rights reserved. The information provided herein is subject to change, without notice. Signify does not give any representation or warranty as to the accuracy or completeness of the information included herein and shall not be liable for any action in reliance thereon. The information presented in this document is not intended as any commercial offer and does not form part of any quotation or contract, unless otherwise agreed by Signify.

Signify North America Corporation
200 Franklin Square Drive,
Somerset, NJ 08873
Telephone 855-486-2216

Signify Canada Ltd.
281 Hillmount Road,
Markham, ON, Canada L6C 2S3
Telephone 800-668-9008

All trademarks are owned by Signify Holding or their respective owners.